



Diversity for UNI Circuits

Contents

Purpose	2
Diversity related fields	2
Ordering Types	3
E-Path UNI REQ TYP ED (SES FORM)	4
Change Log	4

Frontier Wholesale

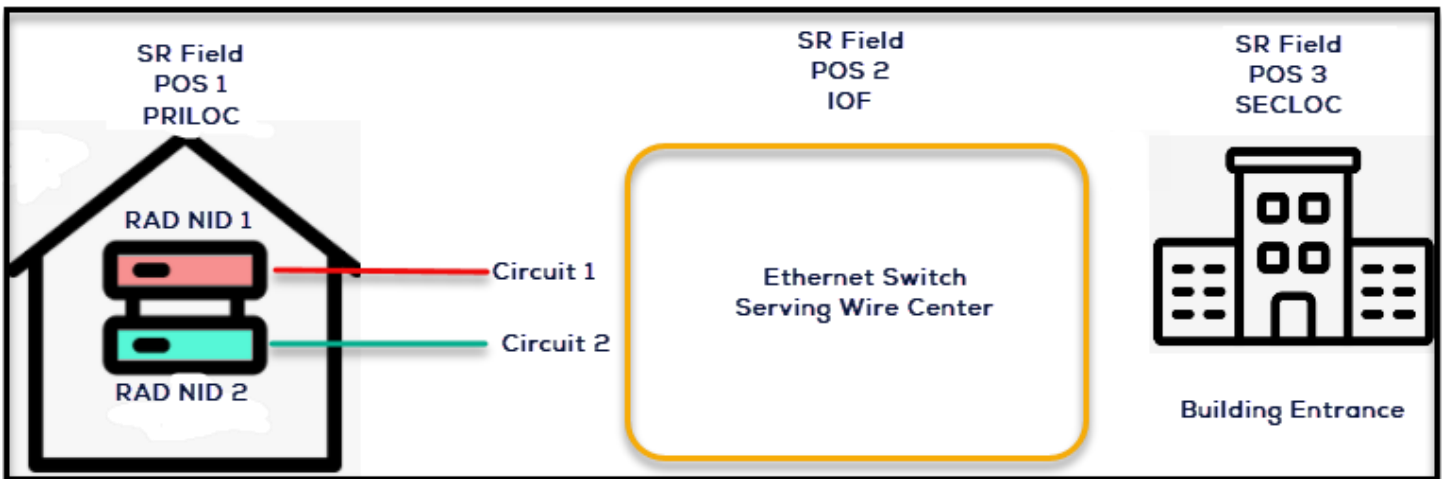
Jurisdiction: All
Revised: 03/01/2023

Purpose

This Job Aid will cover how to update Diversity on New and Move Activities for UNI Ethernet Circuits. Refer to page 3 for Ordering Types.

Diversity related fields

- Switched Ethernet Form (SES) – Special Routing Field (**SR**)
 - Diversity requested at the Physical End User Location NID
 - **BNN**
 - Diversity requested at Frontier’s IOF (Inter office Facility)
 - **N2N**
 - Diversity requested at the Building Entrance
 - **NNB**
- Switched Ethernet Form (SES) – **DIVPON**
 - Required when DIVCKT is not populated
- Switched Ethernet Form (SES) – **DIVCKT**
 - Required when DIVPON is not populated



When Diversity is being requested at the NID and you are unsure of the Circuit to be diverse from please send email to DEMARC.MOVE@FTR.COM. Include the UNI Circuit that may be existing on the NID. Carrier Staff Support will research and advise of any circuits existing on the NID that belong to your Carrier IXC.



Ordering Types

Question	Solution
I need a New Circuit that is Diverse from a UNI circuit that is already installed. What type of ASR do I need?	Issue a New Stand Alone UNI ASR with the <u>SR field</u> populated and <u>DIVCKT Field</u> with existing circuit.
I would like to issue 2 ASR's at the same time diverse from each other. What type of ASR's do I need to issue?	<ol style="list-style-type: none">1. Issue a Combo ASR (UNI/EVC). Populate the SR field (see matrix) below and populate DIVPON of the PON that will be issued in #2.2. Issue a 2nd Combo ASR (UNI/EVC), populate the SR field, same values as in step 1 with DIVPON of 1st Combo ASR
I have 2 Circuits installed on the same NID at the same location. What type of ASR do I issue to make one of these circuits diverse?	Issue a New MOVE ASR (ACT M) and <u>DIVCKT Field</u> with existing circuit. ASR Remarks will need to state that a Diversity is being requested.
I would like a Dedicated or New NID to be installed in the MPOE	On the New Connect or Move ASR: <ol style="list-style-type: none">1. Populate DIVCKT with "New NID"



E-Path UNI REQ TYP ED (SES FORM)

• CIRCUIT DETAIL SECTION		
SR	Special Routing	BNN – Diversity at the PRILOC (Ex: NID) N2N – IOF Diversity (Ex: Ethernet Switch) NNB – Diversity at the SECLOC (Ex: Building Entrance) B2B – Dedicated NID
DIVCKT	Diverse Circuit	If the Diverse Circuit is known, place the UNI Circuit in the DIVCKT field. If unknown or unsure, contact DEMARC.MOVE@FTR.COM If Dedicated NID is being requested, populated 'NEW NID' <i>Note: Either the DIVCKT or DIVPON can be populated, per ASOG Guidelines</i>
DIVPON	Diverse PON	If the Diverse PON is known and ASR is not completed, place PON in the DIVPON field. <i>Note: Either the DIVCKT or DIVPON can be populated, per ASOG Guidelines</i>

Change Log

Date	Page Number	Change
5/28/2021		Original document
8/10/2021	4,5	Updated SR values for Dedicated NID
7/27/2022	1, 4	Revised purposes; Removed FOC timelines
3/1/2023	3	Removed reference to SR field due to ASOG Usage error

DISCLAIMER: THIS DOCUMENTATION IS FOR INFORMATIONAL PURPOSES ONLY AND DOES NOT OBLIGATE FRONTIER TO PROVIDE SERVICES IN THE MANNER DESCRIBED IN THIS DOCUMENT. FRONTIER RESERVES THE RIGHT AS ITS SOLE OPTION TO MODIFY OR REVISE THE INFORMATION IN THIS DOCUMENT AT ANY TIME WITHOUT PRIOR NOTICE. IN NO EVENT SHALL FRONTIER OR ITS AGENTS, EMPLOYEES, DIRECTORS, OFFICERS, REPRESENTATIVES OR SUPPLIERS BE LIABLE UNDER CONTRACT, WARRANTY, TORT (INCLUDING BUT NOT LIMITED TO NEGLIGENCE OF FRONTIER), OR ANY OTHER LEGAL THEORY, FOR ANY DAMAGES ARISING FROM OR RELATING TO THIS DOCUMENT OR ITS CONTENTS, EVEN IF ADVISED OF THE POSSIBILITY OF SUCH DAMAGES.